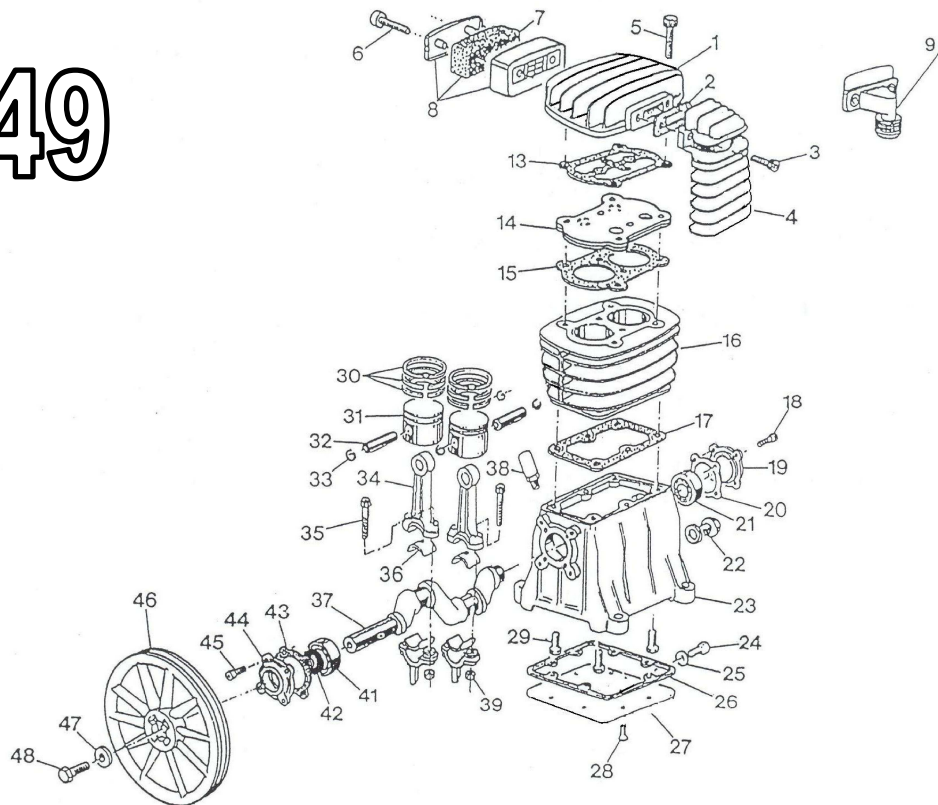


BAMAX

BX49



| REF. NBR. | PART NUMBER | DESCRIPTION | DESCRIZIONE | UNITS PER ASSY |
|-------------|-------------|-----------------------------|--------------------------------------|----------------|
| 1 | 97019311 | CYLINDER HEAD | TESTATA | 1 |
| 2 | 55880991 | GASKET AFTERCOOLER-HEAD | GUARNIZIONE COLLETTORE-TESTATA | 1 |
| 4 | 97017867 | AFTERCOOLER | COLLETTORE | 1 |
| 5 | 55887855 | SCREW M8X40 | VITE M8X50 | 6 |
| 6 | 97165393 | SCREW M8X30 | VITE M8X30 | 2 |
| 7 | 97021745 | AIR FILTER ELEMENT | CARTUCCIA FILTRO | 1 |
| 8 | 55875132 | AIR FILTER COMPLETE | FILTRO ARIA COMPLETO | 1 |
| 9 | 97218309 | DISCHARGE ELBOW | RACCORDO TUBO MANDATA | 1 |
| 13 | 55877880 | GASKET VALVE PLATE-HEAD | GUARNIZIONE PIASTRA VALVOLE-TESTATA | 1 |
| 14 | 97230262 | VALVE PLATE | PIASTRA VALVOLE | 1 |
| 15 | 55877922 | GASKET CYLINDER-VALVE PLATE | GUARNIZIONE CILINDRO-PIASTRA VALVOLE | 1 |
| 16 | 97018097 | CYLINDER | CILINDRO | 1 |
| 17 | 97018253 | GASKET CRANKCASE-CYLINDER | GUARNIZIONE CARTER-CILINDRO | 1 |
| 19 | 92063122 | CRANKCASE COVER LOV | COPERCHIO LOV | 1 |
| 22 | 97018055 | OIL LEVEL SIGHT GLASS SPIA | LIVELLO OLIO | 1 |
| 23 | 55893473 | CRANKCASE | CARTER | 1 |
| 25 | 97019418 | WASHER OIL DRAIN | RONDELLA | 1 |
| 26 | 55900103 | GASKET SUMP PLATE | GUARNIZIONE FONDO CARTER | 1 |
| 27 | 55899694 | SUMP PLATE | FONDO CARTER | 1 |
| 28 | 97251573 | SCREW TT5X15 | VITE TT5X15 | 9 |
| 30 | 97232300 | RING KIT | KIT SEGMENTI | 1 |
| 31 | 97018170 | PISTON | PISTONE | 2 |
| 32 | 97018188 | WRIST PIN | SPINOTTO | 2 |
| 33 | 97018550 | CIRCLIP | ANELLO | 4 |
| 34 | 97166185 | CONNECTING ROD | BIELLA | 2 |
| 35 | 92391440 | SCREW M8X45 | VITE M8X45 | 4 |
| 36 | 97018121 | SHELL BEARING | SEMIGUSCIO | 4 |
| 37 | 97018295 | CRANKSHAFT | ALBERO A GOMITO | 1 |
| 38 | 97232193 | OIL FILLER BREATHER | TAPPO CARICA OLIO | 1 |
| 39 | 97019459 | NUT SELF LOCKING | DADO AUTOBLOCCANTE | 4 |
| 42 | 97019350 | OIL SEAL | ANELLO TENUTA | 1 |
| 44 | 97146393 | CRANKCASE COVER LV | COPERCHIO LV | 1 |
| 46 | 97020010 | BELTWHEEL | VOLANO | 1 |
| 47 | 97019145 | WASHER BELTWHEEL | ROSETTA VOLANO | 1 |
| 48 | 97019111 | SCREW BELTWHEEL | VITE VOLANO | 1 |
| 18 / 45 | 97019160 | SCREW M6X14 | VITE M6X14 | 8 |
| 20 / 43 | 97017735 | GASKET CRANKCASE COVER | GUARNIZIONE COPERCHIO | 2 |
| 21 / 41 | 95200622 | BEARING 6205 | CUSCINETTO 6205 | 2 |
| 3 / 24 / 29 | 97019178 | SCREW M8X20 | VITE M8X20 | 9 |